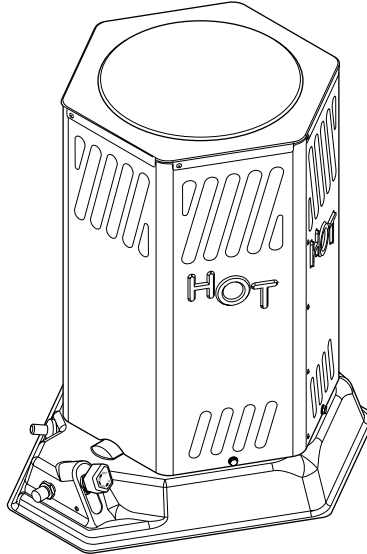




# CANADIAN PROPANE CONSTRUCTION HEATER OWNER'S MANUAL

For more information, visit [www.desatech.com](http://www.desatech.com)

Model: RCCP80V



**VARIABLE**  
**40,000 - 80,000 BTU/HR**



**IMPORTANT: Read and understand this manual before assembling, starting, or servicing heater. Improper use of heater can cause serious injury. Keep this manual for future reference.**

**⚠ GENERAL HAZARD WARNING: FAILURE TO COMPLY WITH THE PRECAUTIONS AND INSTRUCTIONS PROVIDED WITH THIS HEATER, CAN RESULT IN DEATH, SERIOUS BODILY INJURY AND PROPERTY LOSS OR DAMAGE FROM HAZARDS OF FIRE, EXPLOSION, BURN, ASPHYXIATION, CARBON MONOXIDE POISONING, AND/OR ELECTRICAL SHOCK.**

**ONLY PERSONS WHO CAN UNDERSTAND AND FOLLOW THE INSTRUCTIONS SHOULD USE OR SERVICE THIS HEATER.**

**IF YOU NEED ASSISTANCE OR HEATER INFORMATION SUCH AS AN INSTRUCTIONS MANUAL, LABELS, ETC. CONTACT THE MANUFACTURER.**

## TABLE OF CONTENTS


SAFETY INFORMATION .....	2	STORAGE .....	5
PRODUCT IDENTIFICATION .....	3	MAINTENANCE .....	6
UNPACKING .....	3	SPECIFICATIONS .....	6
THEORY OF OPERATION .....	3	REPLACEMENT PARTS .....	6
PROPANE SUPPLY .....	3	TROUBLESHOOTING .....	7
VENTILATION .....	3	ACCESSORIES .....	7
INSTALLATION .....	4	ILLUSTRATED PARTS BREAKDOWN AND PARTS LIST .....	8
OPERATION .....	4	WARRANTY AND REPAIR SERVICE .....	Back Cover


Save this manual for future reference.



## SAFETY INFORMATION

### WARNINGS

** WARNING: This product contains and/or generates chemicals known to the State of California to cause cancer or birth defects, or other reproductive harm.**

** WARNING: FIRE, BURN, INHALATION, AND EXPLOSION HAZARD. KEEP SOLID COMBUSTIBLES, SUCH AS BUILDING MATERIALS, PAPER OR CARDBOARD, A SAFE DISTANCE AWAY FROM THE HEATER AS RECOMMENDED BY THE INSTRUCTIONS. NEVER USE THE HEATER IN SPACES WHICH DO OR MAY CONTAIN VOLATILE OR AIRBORNE COMBUSTIBLES, OR PRODUCTS SUCH AS GASOLINE, SOLVENTS, PAINT THINNER, DUST PARTICLES OR UNKNOWN CHEMICALS.**

** WARNING: NOT FOR HOME OR RECREATIONAL VEHICLE USE.**

The heater is designed for use as a construction heater in accordance with ANSI Z83.7/CGA 2.14. Other standards govern the use of fuel gases and heating products for specific uses. Your local authority can advise you about these. The primary purpose of construction heaters is to provide temporary heating of buildings under construction, alteration or repair. Properly used, the heater provides safe economical heating. Products of combustion are vented into the area being heated.

We cannot foresee every use which may be made of our heaters. **CHECK WITH YOUR LOCAL FIRE SAFETY AUTHORITY IF YOU HAVE QUESTIONS ABOUT HEATER USE.**

Other standards govern the use of fuel gases and heat producing products for specific uses. Your local authorities can advise you about these.

**Carbon Monoxide Poisoning:** Some people are more affected by carbon monoxide than others. Early signs of carbon monoxide poisoning resemble the flu, with headaches, dizziness, and/or nausea. If you have these signs, the heater may not be working properly. **Get fresh air at once!** Check for proper ventilation and have heater serviced.

**Propane Gas:** Propane gas is odorless. An odor-making agent is added to propane gas. The odor helps you detect a propane gas leak. However, the odor added to propane gas may fade. Propane gas may be present even though no odor exists.

Make certain you read and understand all warnings. Keep this manual for reference. It is your guide to safe and proper operation of this heater.

- Install and use heater with care. Follow all local ordinances and codes. In the absence of local ordinances and codes, refer to the *Standard for Storage and Handling of Liquefied Petroleum Gas, ANSI/NFPA 58* and the *Propane Installation Code, CAN/CGA B149.2*. This instructs on the safe storage and handling of propane gases.
- Use only the hose and factory preset regulator provided with the heater.
- Use only propane gas set up for vapor withdrawal.
- Provide adequate ventilation. Before using heater, provide at least a .23 m<sup>2</sup> (2.5 ft<sup>2</sup>) opening of fresh, outside air.
- For indoor use only. Do not use heater outdoors.
- Do not use heater in occupied dwellings or in living or sleeping quarters.
- Do not use heater in basement or below ground level. Propane gas is heavier than air. If a leak occurs, propane gas may sink to the lowest possible level.
- Keep appliance area clear and free from combustible materials, gasoline, paint thinner, and other flammable vapors and liquids. Dust is combustible. Do not use heater in areas with high dust content.
- Minimum heater clearances from combustibles:  
Sides: 9 m (3 ft) Top: 1.8 m (6 ft)
- Keep heater at least 1.8 m (6 ft) from propane tank(s).
- Keep propane tank(s) below 38° C (100° F).
- Check heater for damage before each use. Do not use a damaged heater.
- Check hose before each use of heater. If highly worn or cut, replace with hose specified by the manufacturer before using heater.
- Locate heater on stable and level surface if heater is hot or operating.
- Not intended for use on finished floors.
- Never block air inlet (bottom of shell) or air outlet (around top of shell) of heater.
- Keep heater away from strong drafts, wind, water spray, rain, or dripping water.
- Do not leave heater unattended.
- Keep children and animals away from heater.
- Never move, handle, or service a hot or operating heater. Severe burns may result. Wait 15 minutes after turning heater off.
- To prevent injury, wear gloves when handling heater.
- Never attach duct work to heater.
- Do not alter heater. Keep heater in its original state.
- Do not use heater if altered.
- Turn off propane supply to heater when not in use.
- Use only original replacement parts. This heater must use design-specific parts. Do not substitute or use generic parts. Improper replacement parts could cause serious or fatal injuries.

## PRODUCT IDENTIFICATION

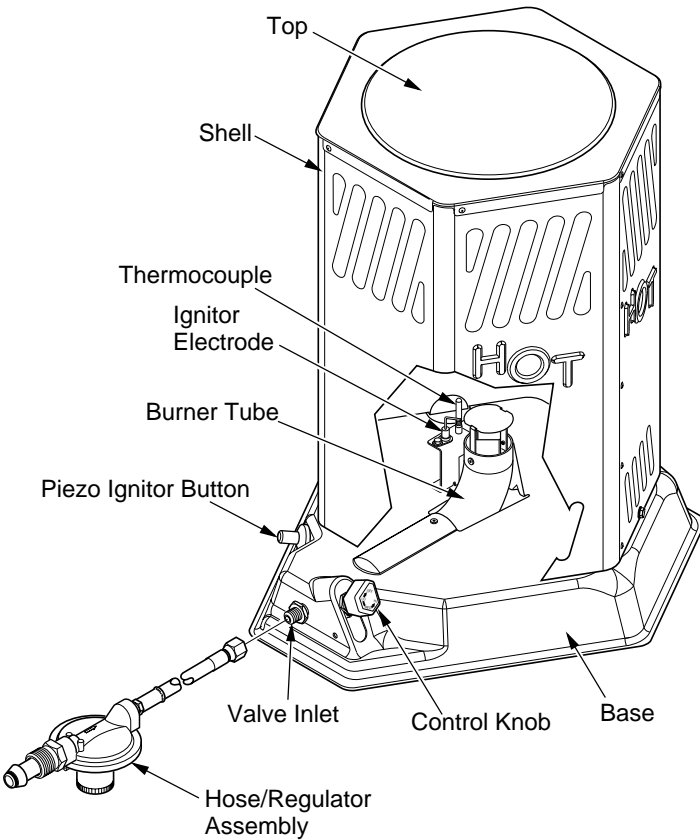


Figure 1 - Product Identification

## UNPACKING

1. Remove all packing items applied to heater for shipment. Keep plastic cover caps (attached to valve inlet and hose/regulator assembly) for storage.
2. Remove all items from carton.
3. Check all items for shipping damage. If heater is damaged, promptly inform dealer where you bought heater.

## THEORY OF OPERATION

**The Fuel System:** The hose/regulator assembly attaches to the propane gas supply. This provides fuel to the heater.

**The Ignition System:** The piezo ignitor lights the burner fuel supply.

**The Automatic Control System:** This system causes the heater to shut down if the flame goes out.

## PROPANE SUPPLY

Propane gas and propane tank(s) are to be furnished by the user. Use this heater only with a propane vapor withdrawal supply system. See Chapter 5 of the *Standard for Storage and Handling of Liquefied Petroleum Gas, ANSI/NFPA 58 and/or CAN/CGA B149.2*. Your local library or fire department will have this booklet.

The amount of propane gas ready for use from propane tanks varies. Two factors decide this amount.

1. The amount of liquid propane gas in tank(s)
2. The temperature of tank(s)

The chart below shows the minimum number of 45 kg (100 lb) tanks needed to run the heater. Connect tanks together with a manifold.

Average Temperature °C (°F) At Tank Location	Number Of Tanks 45 kg (100 lb)
16° (60°)	1
4° (40°)	1
0° (32°)	1
-6.7° (20°)	1
-12° (10°)	2
-18° (0°)	2

Less gas is vaporized at lower temperatures. Your local propane gas dealer will help you select the proper supply system.

## VENTILATION

**⚠ WARNING:** Provide at least a .23 m<sup>2</sup> (2.5 ft<sup>2</sup>) opening of fresh, outside air while running heater. If proper fresh, outside air ventilation is not provided, carbon monoxide poisoning can occur. Provide proper fresh, outside air ventilation before running heater.

## INSTALLATION

**⚠ WARNING:** Review and understand the warnings in the *Safety Information* section, page 2. They are needed to safely operate this heater. Follow all local codes when using this heater.

**⚠ WARNING:** Test all gas piping and connections for leaks after installation or servicing. Never use an open flame to check for a leak. Apply a mixture of liquid soap and water to all joints. Bubbles forming show a leak. Correct all leaks at once.

1. Provide propane supply system (see *Propane Supply*, page 3).
2. Connect fuel gas fitting on hose/regulator assembly to propane tank(s). Turn fuel gas fitting counterclockwise into threads on tank. Tighten firmly using a wrench. **IMPORTANT:** Tighten regulator with vent pointing down (see Figure 3). Pointing vent down protects regulator from weather damage.
3. Connect hose to the valve inlet. Tighten firmly using wrench. You must use the regulator supplied with heater.
4. Open propane supply valve on propane tank(s) slowly. **Note:** if not opened slowly, excess-flow check valve on propane tank may stop gas flow. If this happens, you may hear a click inside the regulator assembly, this is the check valve closing. To reset the excess-flow check valve, close propane supply valve and open it again slowly.
5. Check all connections for leaks. Apply mixture of liquid soap and water to gas joints. Bubbles forming show a leak that must be corrected.
6. Close propane supply valve.

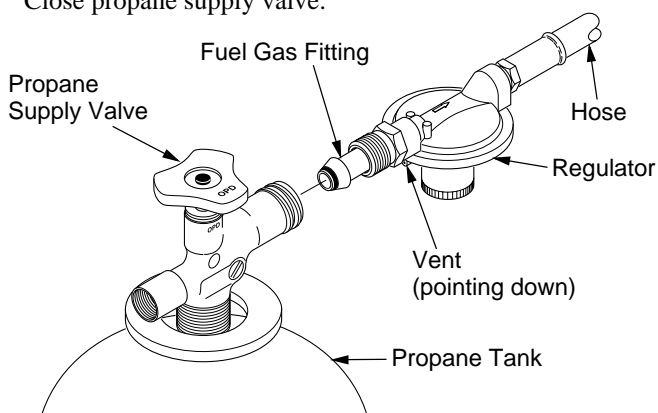


Figure 2 - Regulator With Vent Pointing Down

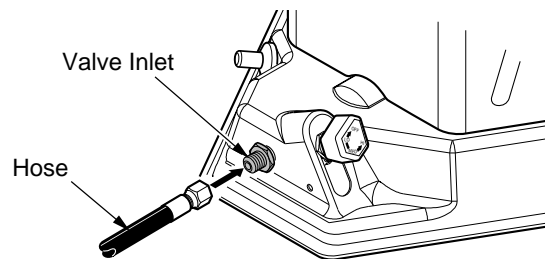


Figure 3 - Hose and Valve Inlet

## OPERATION

**⚠ WARNING:** Review and understand the warnings in the *Safety Information* section, page 2. They are needed to safely operate this heater. Follow all local codes when using this heater.

### TO START HEATER

1. Follow all installation, ventilation, and safety information.
2. Locate heater on stable and level surface. Make sure strong drafts do not blow on heater.
3. Make sure unit is turned off by slightly depressing and turning control knob fully clockwise to "OFF".
4. Open propane supply valve on propane tank(s) slowly. **Note:** If not opened slowly, excess-flow check valve on propane tank may stop gas flow. If this happens, you may hear a click inside the regulator assembly, this is the check valve closing. To reset the excess-flow check valve, close propane supply valve and open it again slowly.
5. Slightly depress and turn control knob counterclockwise to the low position (see Figure 4).
6. With the control knob pushed all the way in, press and release the piezo ignitor button. Keep pressing piezo ignitor button until the burner lights. Hold control knob down for a maximum of 15 seconds while attempting ignition. If heater does not ignite, release control knob and wait 3 minutes before attempting reignition.

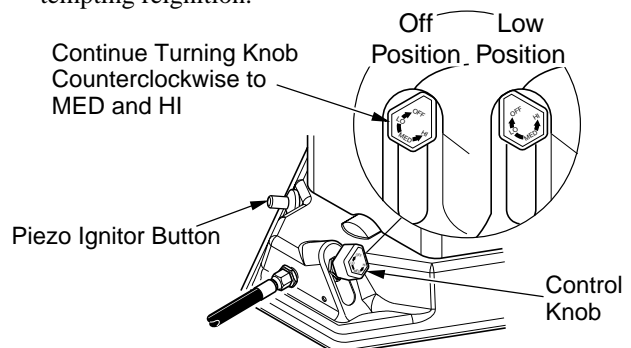


Figure 4 - Control Knob, and Piezo Ignitor Button Locations

## OPERATION

### Continued

- After ignition, hold control knob down for approximately 30 seconds. This activates the automatic control system.
- When burner remains lit, set heater at the desired heat level by slightly depressing the control knob and turning it counterclockwise to the Medium or High settings (see Figure 4, page 4).
- If burner goes out, turn off gas. Slightly depress and turn control knob fully clockwise to "OFF". Check fuel supply. If adequate fuel is available, restart heater beginning at step #1, page 4.

### FLAME PATTERNS

Figure 5 shows a correct flame pattern. The burner flame is mostly blue with a slight yellow coloring on the ends.

Figure 6 shows an incorrect flame pattern. The flame is mostly yellow. The incorrect flame pattern results from low gas pressure or from flashback.

**CAUTION:** Running heater below specified input rating may cause flashback. During flashback, the burner flame is mostly yellow. The flame will burn inside the burner tube, causing a roaring noise. If flashback occurs, turn heater off. After burner tube cools, restart the heater.

#### Correct Flame Pattern

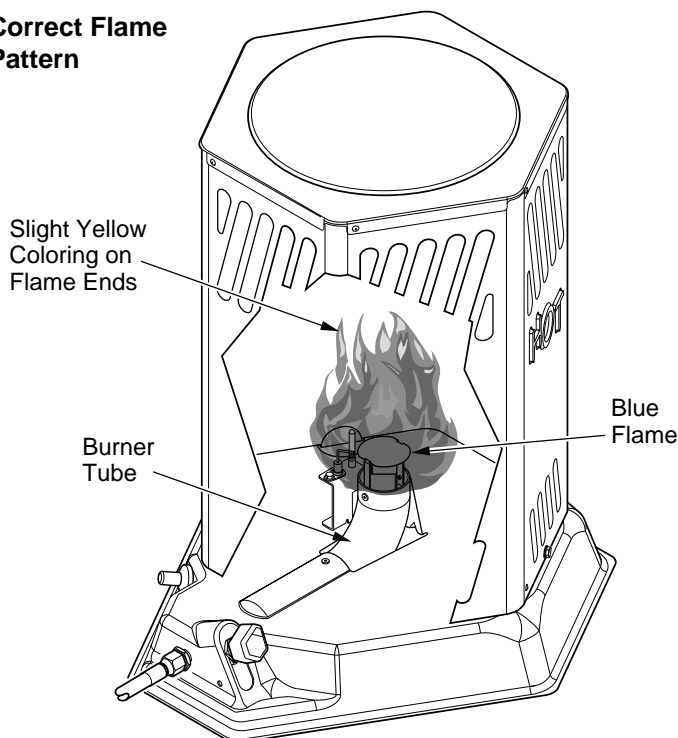


Figure 5 - Normal Flame Pattern at High Position

#### Incorrect Flame Pattern—Flashback

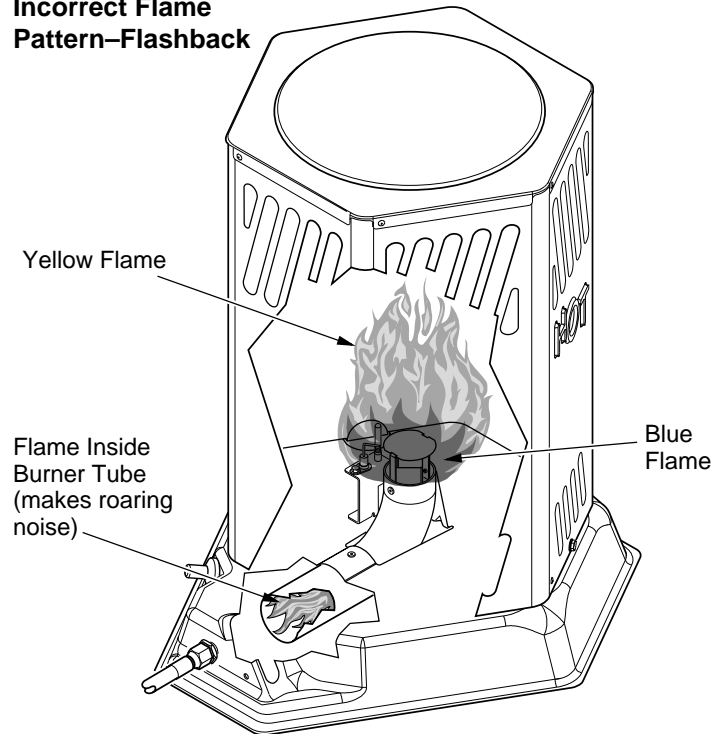


Figure 6 - Flame Pattern during Flashback

### TO STOP HEATER

- Tightly close propane supply valve on propane tank(s). Allow heater to burn remaining fuel in hose.
- Shut off main burner valve. Do this by slightly depressing control knob and turning fully clockwise to "OFF".

### TO RESTART HEATER

- Wait five minutes after stopping heater.
- Repeat steps under *To Start Heater*, page 4.

### STORAGE

**CAUTION:** Disconnect heater from propane supply tank(s).

- Store propane tank(s) in safe manner. Refer to Chapter 5 of *Standard for Storage and Handling of Liquefied Petroleum Gases, ANSI/NFPA 58 and/or CAN/CGA B149.2*. Follow all local codes. Always store propane tanks outdoors.
- Place plastic cover caps over brass fittings on valve inlet and hose/regulator assembly.
- Store in a dry, clean, and safe place.

## MAINTENANCE

### **⚠ WARNING:**

- Never attempt to service heater while it is connected to propane supply, operating, or hot. Severe burns can occur.
- Keep heater clear and free from combustible materials, gasoline, and other flammable vapors and liquids.
- Do not block the flow of combustion or ventilation air.

1. Keep heater clean. Clean heater annually or as needed to remove dust and debris. If heater is dirty or dusty, clean heater with a damp cloth. Use household cleaners on difficult spots.
2. Inspect heater before each use. Check connections for leaks. Apply mixture of liquid soap and water to connections. Bubbles forming show a leak. Correct all leaks at once.
3. Inspect hose/regulator assembly before each use. If hose is highly worn or cut, replace.
4. Have heater inspected yearly by a qualified service agency.

## SPECIFICATIONS

Rating (Btu/Hr)	
High	80,000
Low	40,000
Fuel	Propane Vapor Only
Fuel Consumption	
Liters (Gallons)/Hour	1.67 (0.44) minimum 3.3 (0.87) maximum
Kilogram (Pounds)/Hour	0.84 (1.86) minimum 1.7 (3.71) maximum
Supply Pressure To Regulator (for input adjustment)	
Maximum	1380 kPa (200 psi)
Minimum	138 kPa (20 psi)
Manifold Pressure (W.C.)	
High	45.7 cm (18 in)
Low	60 cm (23.8 in)
Ignitor Gap	5.0 mm (0.195 in)
Weight	
Heater Weight	6 kg (13 lbs)
Shipping Weight	7.7 kg (17 lbs)
Size - L x W x H	51 x 38.1 x 40.6 cm (20 x 15 x 16 in)
Minimum Temperature	-29 °C (-20° F)
	Surrounding Air Temperature

## REPLACEMENT PARTS

**⚠ WARNING:** Use only original replacement parts. This heater must use design-specific parts. Do not substitute or use generic parts. Improper replacement parts could cause serious or fatal injuries. This will also protect your warranty coverage for parts replaced under warranty.

### PARTS UNDER WARRANTY

Contact authorized dealers of this product. If they can't supply original replacement part(s), call DESA Industries at 1-905-826-8010.

When calling DESA Industries, have ready:

- your name and address
- model and serial numbers of your heater
- how heater was malfunctioning
- purchase date

In most cases, we will ask you to return the part to the factory.

### PARTS NOT UNDER WARRANTY

Contact authorized dealers of this product. If they can't supply original replacement part(s), call DESA Industries at 1-905-826-8010.

When calling DESA Industries, have ready:

- model and serial numbers of your heater
- the replacement part number

## TROUBLESHOOTING

*Note:* For additional help, visit DESA International's Technical Service web site at [www.desatech.com](http://www.desatech.com).

**⚠ WARNING: Never attempt to service heater while it is connected to propane supply, operating, or hot. Severe burns can occur.**

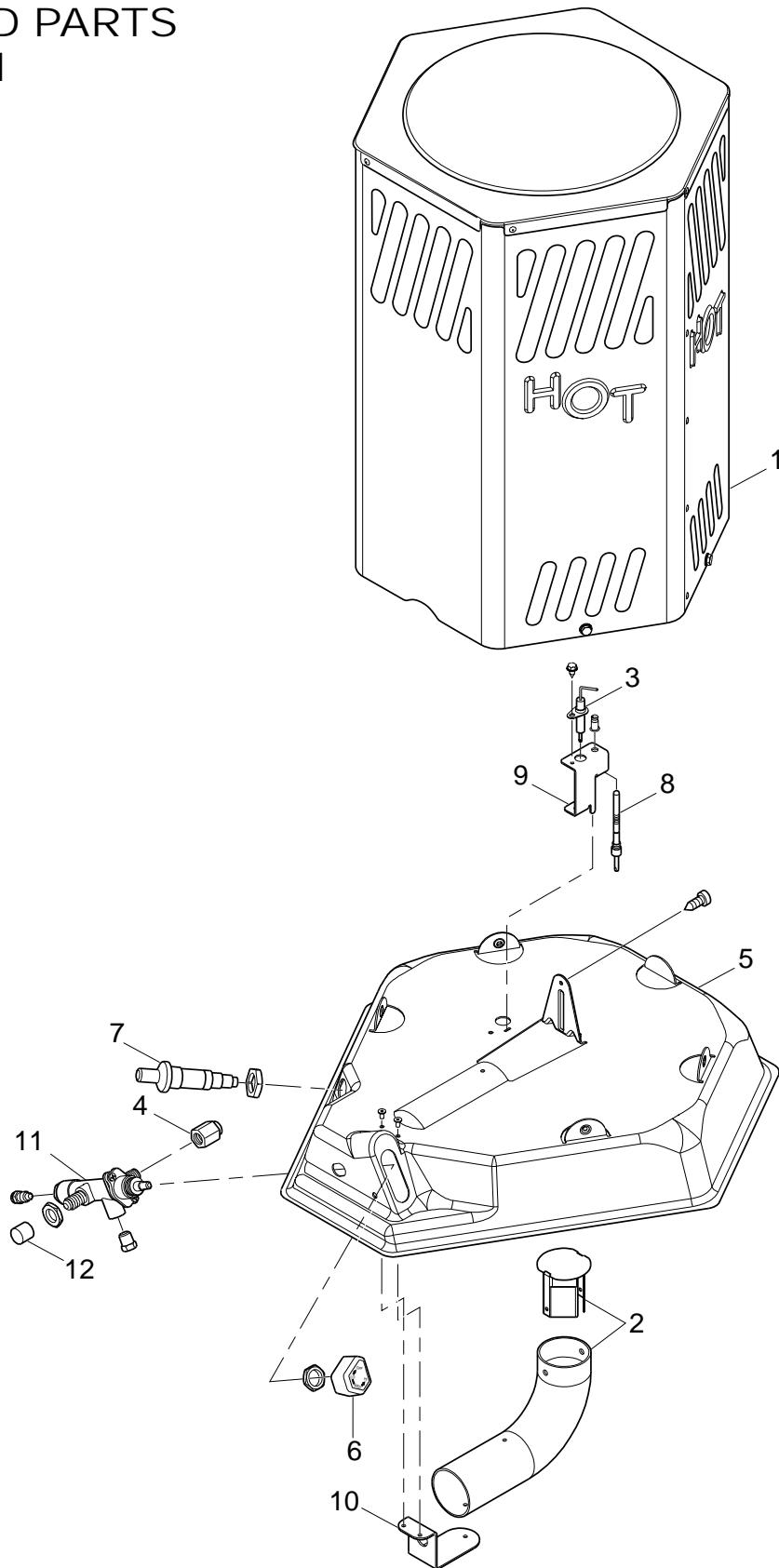
SYMPTOM	POSSIBLE CAUSE	REMEDY
Burner fails to light	<ol style="list-style-type: none"> <li>1. Propane supply valve closed on propane tank(s)</li> <li>2. Excess-flow check valve closed</li> <li>4. Blockage in burner orifice</li> <li>5. Piezo ignition system not sparking</li> </ol>	<ol style="list-style-type: none"> <li>1. Open propane supply valve slowly</li> <li>2. Close propane supply valve on propane tank and reopen slowly</li> <li>4. Replace burner orifice</li> <li>5. Assure ignitor electrode gap is 5.0 mm (.195 in). Check wire lead for damage. Replace piezo ignitor and/or ignitor electrode as necessary. Do not bend electrode, this may cause breakage</li> </ol>
Burner lights but goes out when automatic control valve button is released	<ol style="list-style-type: none"> <li>1. Not enough warm-up time</li> <li>2. Low gas pressure</li> <li>3. Thermocouple loose or needs to be replaced</li> <li>4. Automatic control valve needs to be replaced</li> </ol>	<ol style="list-style-type: none"> <li>1. Relight, hold automatic control valve button in 45 seconds</li> <li>2. Check propane tank(s) for proper gas supply</li> <li>3. Tighten connection or replace thermocouple</li> <li>4. Replace automatic control valve</li> </ol>
Burn rate is low	<ol style="list-style-type: none"> <li>1. Main burner valve not fully open</li> <li>2. Plugged gas orifices</li> <li>3. Low gas pressure</li> <li>4. Low fuel supply</li> </ol>	<ol style="list-style-type: none"> <li>1. Fully open main burner valve by pushing in control knob and turning counter-clockwise towards HIGH position until it stops</li> <li>2. Replace gas orifice</li> <li>3. Check gas supply; check regulator output</li> <li>4. Consult propane gas supplier</li> </ol>

## ACCESSORIES

Purchase accessories and parts from your nearest dealer or service center. If your dealer or service center can not supply an accessory or part, call DESA Industries' at 1-905-826-8010. You can also write to the address listed on the back page of this manual.

**DESA Industries**  
**2220 Argentia Road**  
**Unit #4**  
**Mississauga, ON**  
**L5N2K7**  
**905-826-8010**

Part Number	Description
LPA4020	<b>Fuel Gas Connector</b> Connects regulator to all standard propane tanks. U.L. and AGA listed.
LPA3005	<b>Hose/Regulator Assembly</b>

ILLUSTRATED PARTS  
BREAKDOWN  
RCCP80V



## PARTS LIST

## RCCP80V

This list contains replaceable parts used in your heater. When ordering parts, follow the instructions listed under *Replacement Parts* on page 6 of this manual.

KEY NO.	PART NO.	DESCRIPTION	QTY.
1	103928-01	Top and Shell Assembly	1
2	103929-01	Burner Assembly	1
3	103904-01	Electrode Ignitor	1
4	103032-01	Nozzle	1
5	103031-01	Base	1
6	103036-01	Control Knob	1
7	102445-01	Piezo Ignitor	1
8	099236-01	Thermocouple Kit	1
9	103854-01	Thermocouple Bracket	1
10	103037-01	Nozzle Locator	1
11	103930-01	Valve Assembly	1
12	078978-03	Sleeve Cap	1
<b>PARTS AVAILABLE - NOT SHOWN</b>			
	098851-07	Tradename Decal (RCCP80V)	1
	099681-05	Information Decal (English)	1
	099681-06	Information Decal (French)	1
	099683-02	Operation Decal (English)	1
	099683-03	Operation Decal (French)	1
<b>ACCESSORIES</b>			
	LPA3110	Regulator & Hose Assembly	1
	LPA4020	Fuel Gas Connector	1



Lined writing area consisting of multiple horizontal lines for text entry.

# OWNER'S REGISTRATION FORM

Complete registration form and mail or complete on-line registration at [www.desatech.com](http://www.desatech.com) within 30 days after purchase.

Brand: \_\_\_\_\_ (Reddy Heater, Master, Remington, etc.)  
 Model: \_\_\_\_\_ (R60, HD15, etc.)  
 Date Purchased: \_\_\_\_\_ *Note: Keep receipt for warranty verification.*  
 Serial Number: \_\_\_\_\_ 7 or 9 digit number located on product or identification tag.  
 First Name: \_\_\_\_\_ Last Name: \_\_\_\_\_  
 Address: \_\_\_\_\_  
 City: \_\_\_\_\_ State: \_\_\_\_\_ Zip: \_\_\_\_\_ Country: \_\_\_\_\_  
 Phone: (\_\_\_\_) \_\_\_\_\_ - \_\_\_\_\_ E-Mail: \_\_\_\_\_

Please answer the following questions to register your product with DESA International:

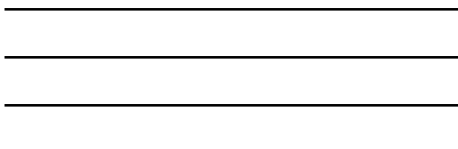
1. Who will heater be used by?  Individual  Business
2. Will you use your heater in more than one location?  Yes  No
3. Where will the product be used? (You may select more than one.)  Workshop  Barn  Residential Construction  
 Commercial Construction  Garage  Factory  Recreation  Warehouse  Utility Shed/Outbuilding  
 Other \_\_\_\_\_ (Specify)
4. Cost of product (excluding sales tax)? \$ \_\_\_\_\_
5. Maintenance/service work will be performed by:  Self  Service Center  Other \_\_\_\_\_
6. If you bought this product yourself, did you plan to purchase this type of product before going into the store?  Yes  No
7. Type of store where product was purchased?  Hardware  Propane Dealer  Natural Gas/Utility Co.  Home Center or Builder's Supply  
 Farm/Ag. Supply  Auto Parts  Warehouse Club  Industrial/Contractor Supply  Rental Store  
 Discount Store  HVAC Dealer  Other \_\_\_\_\_
8. What is your primary source of heat?  Propane (LP Gas)  Natural Gas  Kerosene  Diesel  Electric  Other \_\_\_\_\_
9. What motivated you to buy this product?  Sudden Cold Weather  Replace Older Model  D.I.Y. Home Project  Emergency Back-Up Heat  
 Heater on Sale  Construction Project  Hard to Heat Location  Other \_\_\_\_\_
10. How did you learn about this product brand?  Advertisement  Relative or Friend  Co-Worker  Store Representative  
 Store Display  Previously Owned a Heater  Other \_\_\_\_\_ (Specify)
11. What other brands did you consider?  None  Master  Remington  All-Pro  Dayton  Universal  Mr. Heater  L.B. White Tradesman  
 John Deere  Dyna-Glo  Dura-Heat  Paulin  Coleman  Vogelzang American  Other \_\_\_\_\_
12. Who selected the product?  Male  Female  Both
13. Level of Education of Purchaser:  High School  Vocation/Technical School  Some College  Completed College  Graduate School
14. Age of Purchaser:  Under 20  20 - 29  30 - 39  40 - 49  50 - 59  60 or Over
15. Buyer's total annual household income:  Under \$19,999  \$20,000 to \$34,999  \$35,000 to \$49,999  
 \$50,000 to \$74,999  \$75,000 to \$99,999  \$100,000 and Over
16. What is the population of your area?  Under 10,000  10,000 to 25,000  25,000 to 50,000  50,000 to 100,000  
 100,000 to 250,000  Over 250,000
17. Store where product was purchased:  
 Name: \_\_\_\_\_ City: \_\_\_\_\_ State: \_\_\_\_\_

18. In choosing this product, how important were the following:

	Not	Somewhat	Very		Not	Somewhat	Very
Availability	<input type="radio"/>	<input type="radio"/>	<input type="radio"/>	Size	<input type="radio"/>	<input type="radio"/>	<input type="radio"/>
Price	<input type="radio"/>	<input type="radio"/>	<input type="radio"/>	Prior Brand Experience	<input type="radio"/>	<input type="radio"/>	<input type="radio"/>
Brand Name	<input type="radio"/>	<input type="radio"/>	<input type="radio"/>	Built-In Thermostat	<input type="radio"/>	<input type="radio"/>	<input type="radio"/>
Overall Quality	<input type="radio"/>	<input type="radio"/>	<input type="radio"/>	Ease of Operation	<input type="radio"/>	<input type="radio"/>	<input type="radio"/>
Heat Output (Btu/Hr Rating)	<input type="radio"/>	<input type="radio"/>	<input type="radio"/>	Special Features	<input type="radio"/>	<input type="radio"/>	<input type="radio"/>
Variable Heat Output (Btu/Hr)	<input type="radio"/>	<input type="radio"/>	<input type="radio"/>	Salesperson's Recommendation	<input type="radio"/>	<input type="radio"/>	<input type="radio"/>
Made in USA	<input type="radio"/>	<input type="radio"/>	<input type="radio"/>	Friend/Relative's Recommendation	<input type="radio"/>	<input type="radio"/>	<input type="radio"/>
Warranty	<input type="radio"/>	<input type="radio"/>	<input type="radio"/>	Portability	<input type="radio"/>	<input type="radio"/>	<input type="radio"/>
Local Service	<input type="radio"/>	<input type="radio"/>	<input type="radio"/>	Quiet Operation	<input type="radio"/>	<input type="radio"/>	<input type="radio"/>
Value for Price	<input type="radio"/>	<input type="radio"/>	<input type="radio"/>				

19. This question will allow us to better understand the demographic profile of our customers. Which of the following best describes you? (not required)  
 African American  Asian American  Mexican  Puerto Rican  Cuban  Other Hispanic  White  Other \_\_\_\_\_

TAPE

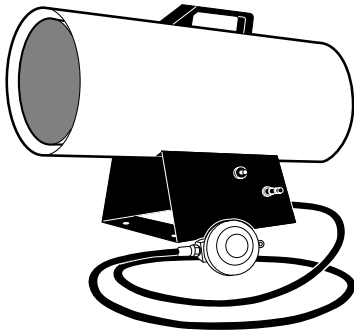


Postage  
Required

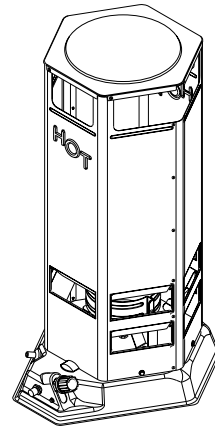
**DESA**<sup>™</sup>  
INTERNATIONAL  
2701 Industrial Drive  
P.O. Box 90004  
Bowling Green, KY 42102-9004

TAPE

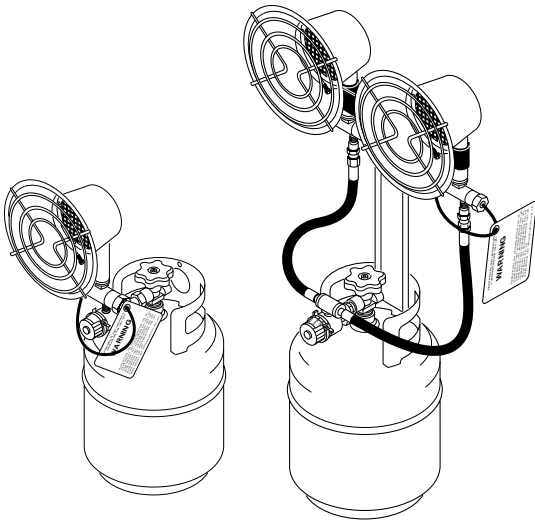
# OTHER OUTDOOR HEATING PRODUCTS



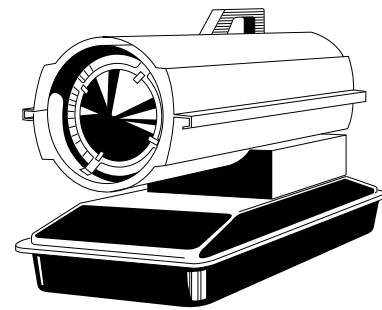
**PROPANE/LP FORCED AIR HEATERS**



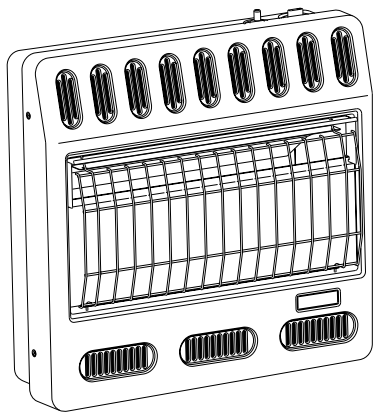
**PROPANE/LP CONVECTION HEATERS**



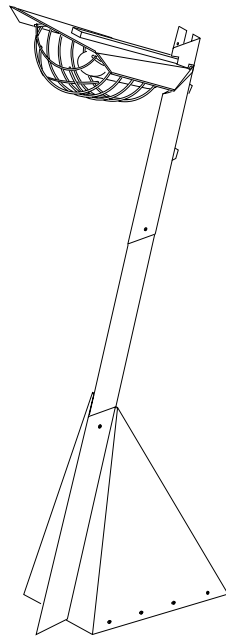
**PROPANE/LP TANK TOP HEATERS**



**PORTABLE KEROSENE/DIESEL FORCED AIR HEATERS**



**PROPANE/LP AND NATURAL GAS GARAGE HEATERS**



**PROPANE/LP PATIO HEATERS**



**PROPANE/LP AND NATURAL GAS CHIMENEAS**

# WARRANTY AND REPAIR SERVICE

## KEEP THIS WARRANTY

### LIMITED WARRANTY

DESA Industries warrants this product and any parts thereof, to be free from defects in materials and workmanship for one (1) year from the date of first purchase when operated and maintained in accordance with instructions. This warranty is extended only to the original retail purchaser, when proof of purchase is provided.

This warranty covers only the cost of parts and labor required to restore the product to proper operating condition. Transportation and incidental costs associated with warranty repairs are not reimbursable under this warranty.

Warranty service is available only through authorized dealers and service centers.

This warranty does not cover defects resulting from misuse, abuse, negligence, accidents, lack of proper maintenance, normal wear, alteration, modification, tampering, contaminated fuels, repair using improper parts, or repair by anyone other than an authorized dealer or service center. Routine maintenance is the responsibility of the owner.

**THIS EXPRESS WARRANTY IS GIVEN IN LIEU OF ANY OTHER WARRANTY EITHER EXPRESSED OR IMPLIED, INCLUDING WARRANTIES OF MERCHANTABILITY AND FITNESS FOR A PARTICULAR PURPOSE.**

DESA Industries assumes no responsibility for indirect, incidental or consequential damages. Some states do not allow the exclusion or limitation of incidental or consequential damages, or limitations or exclusions may not apply to you. This Limited Warranty gives you specific legal rights and you may also have other rights which vary from state to state.

This warranty does not cover discoloration due to operation of heater. We reserve the right to amend these specifications at any time without notice. The only warranty applicable is our standard written warranty. We make no other warranty, expressed or implied.

### WARRANTY SERVICE

Should your heater require service, return it to your nearest authorized service center. Proof of purchase must be presented with the heater. The heater will be inspected. A defect may be caused by faulty materials or workmanship. If so, DESA Industries will repair or replace the heater without charge.

### REPAIR SERVICE

Return your heater to your nearest authorized service center. Repairs not covered by the warranty will be billed at standard prices. Each Service Center is independently owned and operated. We reserve the right to amend these specifications at any time without notice.

Complete the following information for future reference.

Model \_\_\_\_\_

Serial No. \_\_\_\_\_

Date of Purchase \_\_\_\_\_

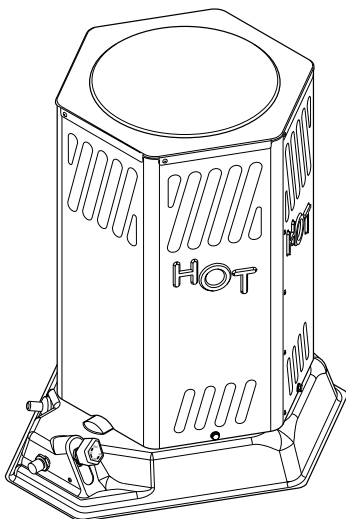
DESA Industries of Canada, Inc.  
2220 Argentia Road, Unit #4  
Mississauga, Ontario  
L5N2K7  
905-826-8010  
Fax: 905-826-8236



APPAREIL DE CHAUFFAGE  
CANADIEN AU PROPANE  
POUR LA CONSTRUCTION  
MANUEL D'UTILISATION

Pour en savoir davantage, visitez le [www.desatech.com](http://www.desatech.com)

Model: RCCP80V



VARIABLE  
40 000 à 80 000 BTU/hr



**IMPORTANT: Veiller à lire et bien comprendre ce manuel avant de monter, de mettre en marche ou d'effectuer l'entretien de cet appareil. Son usage incorrect peut résulter en des blessures graves. Conserver ce manuel pour future référence.**

**⚠ AVERTISSEMENT GÉNÉRAL: LE NON RESPECT DES MESURES DE SÉCURITÉ ET DES INSTRUCTIONS FOURNIES AVEC CET APPAREIL PEUT ENTRAÎNER DES BLESSURES GRAVES OU MORTELLES ET DES DOMMAGES MATÉRIELS OU LA PERTE DE BIENS RÉSULTANT D'UN INCENDIE, D'UNE EXPLOSION, DE BRÛLURES, D'UNE ASPHYXIE, D'UN EMPOISONNEMENT PAR OXYDE DE CARBONE ET/OU D'UN CHOC ÉLECTRIQUE.**

**SEULES LES PERSONNES CAPABLES DE COMPRENDRE ET DE SUIVRE LES INSTRUCTIONS DOIVENT UTILISER OU PROCÉDER À L'ENTRETIEN DE CET APPAREIL DE CHAUFFAGE.**

**POUR TOUTE ASSISTANCE OU L'OBTENTION D'INFORMATIONS CONCERNANT L'APPAREIL, TELLES QUE MANUEL D'INSTRUCTIONS, AUTOCOLLANTS, ETC., CONTACTER LE FABRICANT.**

## TABLE DES MATIÈRES


INFORMATIONS CONCERNANT LA SÉCURITÉ .....	2	ENTRETIEN .....	6
IDENTIFICATION DU PRODUIT .....	3	CARACTÉRISTIQUES .....	6
DÉBALLAGE .....	3	DÉPANNAGE .....	7
PRINCIPE DE FONCTIONNEMENT .....	3	ACCESSOIRES .....	7
ALIMENTATION EN PROPANE .....	3	DÉCOMPOSITION ILLUSTRÉES DES PIÈCES ET LISTE DES PIÈCES .....	8
VENTILATION .....	4	PIÈCES DÉTACHÉES .....	9
INSTALLATION .....	4	GARANTIE ET SERVICE APRÈS-VENTE .....	Couverture arrière
FONCTIONNEMENT .....	4		
REMISAGE .....	6		


Conservez le présent manuel pour consultation future.



## INFORMATIONS CONCERNANT LA SÉCURITÉ

### AVERTISSEMENTS

** AVERTISSEMENT : Ce produit contient ou génère des substances chimiques que l'état de Californie reconnaît comme pouvant entraîner le cancer, des anomalies congénitales ou d'autres troubles de reproduction.**

** AVERTISSEMENT : RISQUES D'INCENDIE, DE BRÛLURES ET D'EXPLOSION. L'INHALATION DES GAZ EST DANGEREUSE. GARDER LES COMBUSTIBLES SOLIDES, TELS QUE MATÉRIAUX DE CONSTRUCTION, PAPIER OU CARTON À DISTANCE SÛRE DE L'APPAREIL, COMME RECOMMANDÉ DANS LES INSTRUCTIONS. NE JAMAIS UTILISER L'APPAREIL DANS DES LOCAUX OÙ SE TROUVENT OU RISQUENT DE SE TROUVER DES COMBUSTIBLES VOLATILS OU EN SUSPENSION DANS L'AIR, OU DES PRODUITS TELS QUE L'ESSENCE, LES SOLVANTS, LE DILUANT POUR PEINTURE, DES PARTICULES DE POUSSIÈRE OU DES PRODUITS CHIMIQUES INCONNUS.**

** AVERTISSEMENT : CET APPAREIL N'EST PAS CONÇU POUR L'USAGE DOMESTIQUE OU DANS UN VÉHICULE RÉCRÉATIF.**

Cet appareil est conçu pour le chauffage des chantiers de construction, conformément à la norme ANSI Z83.7/CGA 2.14. D'autres normes régissent l'usage de gaz combustibles et de produits de chauffage pour des applications spécifiques. S'informer auprès des autorités locales. La fonction primaire des appareils de chauffage pour la construction est d'assurer le chauffage temporaire de bâtiments en cours de construction, de rénovation ou de réparation. Correctement utilisé, cet appareil constitue un moyen de chauffage économique, en toute sécurité. Les produits de combustion sont propagés dans la zone chauffée.

Il nous est impossible de prévoir toutes les applications pour lesquelles nos appareils de chauffage sont utilisés. **Pour toute question concernant l'utilisation de l'appareil de chauffage, consulter les services locaux de prévention des incendies.**

D'autres normes régissent l'usage de gaz combustibles et de produits de chauffage pour des applications spécifiques. S'informer auprès des autorités locales.

**Empoisonnement par oxyde de carbone :** Certaines personnes sont plus sensibles que d'autres à l'oxyde de carbone. Les signes précoces de l'empoisonnement par oxyde de carbone ressemblent à ceux de la grippe : maux de tête, vertiges et/ou nausée. Si ces symptômes se manifestent, il se peut que l'appareil ne fonctionne pas correctement. **Se rendre immédiatement à l'air frais !** Assurer une ventilation adéquate et faire réparer l'appareil.

**Propane :** Le propane est inodore. Un agent odorisant lui est ajouté. L'odeur aide à la détection des fuites. Toutefois, l'efficacité de l'agent odorisant peut s'estomper et le propane peut être présent en l'absence de toute odeur.

Veiller à lire et bien comprendre tous les avertissements. Conserver ce manuel pour future référence. Il constitue le guide d'utilisation sûre et correcte de l'appareil de chauffage.

- Installer et utiliser l'appareil avec précaution. Respecter toutes les réglementations et tous les codes locaux. En l'absence de tels codes et réglementations, se référer à : *Standard for Storage and Handling of Liquefied Petroleum Gas, ANSI/NFPA 58* et *Propane Installation Code CAN/CGA B149.2*. Ces publications concernent la sécurité d'entreposage et de manipulation du propane.
- Utiliser exclusivement le flexible et le détendeur réglé en usine fournis avec l'appareil.
- N'utiliser que du propane prévu pour être tiré sous forme de vapeur.
- Prévoir une ventilation adéquate. Avant d'utiliser l'appareil, prévoir une ouverture d'au moins 0,23 m<sup>2</sup> (2,5 pi<sup>2</sup>) pour l'air frais de l'extérieur.
- Conçu pour l'usage intérieur uniquement. Ne pas utiliser à l'extérieur.
- Ne pas utiliser l'appareil dans des locaux d'habitation ou des dortoirs.
- Ne pas utiliser l'appareil au-dessous du niveau du sol. Le propane est plus lourd que l'air. En cas de fuite, ce gaz descend au plus bas niveau possible.
- Tenir l'appareil à l'écart et protégé des matériaux combustibles tels que l'essence, le diluant pour peinture et autres vapeurs et liquides inflammables. La poussière est combustible. Ne pas utiliser l'appareil de chauffage dans un endroit très poussiéreux.
- Distance minimum des combustibles :  
Côtés : 0,9 m (3 pi) Dessus : 1,8 m (6 pi)
- Garder l'appareil à au moins 1,80 m (6 pi) des bouteilles de propane.
- Garder les bouteilles de propane au-dessous de 38 °C (100 °F).
- Vérifier que l'appareil n'est pas endommagé avant chaque usage. Ne pas utiliser un appareil de chauffage endommagé.
- Vérifier le flexible avant chaque utilisation. S'il est très usé ou coupé, le remplacer par un flexible du type indiqué par le fabricant avant d'utiliser l'appareil.
- Si l'appareil est chaud ou en fonctionnement, le placer sur une surface plane et stable.
- Cet appareil n'est pas conçu pour être utilisé sur des sols finis.
- Ne jamais bloquer l'entrée (en bas du corps de l'appareil) ou la sortie (autour du haut du corps de l'appareil) d'air de l'appareil.
- Garder l'appareil à l'écart des forts courants d'air, du vent, des jets d'eau, de la pluie ou des égouttements.
- Ne pas laisser l'appareil sans surveillance.
- Tenir les enfants et les animaux à l'écart de l'appareil.



## INFORMATIONS CONCERNANT LA SÉCURITÉ

### Suite

- Pour éviter des brûlures graves, ne jamais déplacer, manipuler ou réparer un appareil chaud, ou en fonctionnement. Attendre 15 minutes après avoir éteint l'appareil.
- Pour éviter les risques de blessures, manipuler l'appareil avec des gants.
- Ne jamais fixer de conduits à l'avant ou l'arrière de l'appareil.
- Ne pas modifier l'appareil. Le conserver dans son état d'origine.
- Ne pas utiliser l'appareil s'il a été modifié.
- Fermer l'arrivée de gaz lorsque l'appareil n'est pas en usage.
- Utiliser exclusivement des pièces détachées d'origine. Cet appareil doit utiliser des pièces spécialement conçues. Ne pas utiliser de substituts ni de pièces génériques. L'usage de pièces de rechange inadéquates peut résulter en des blessures graves ou mortelles.

## IDENTIFICATION DU PRODUIT

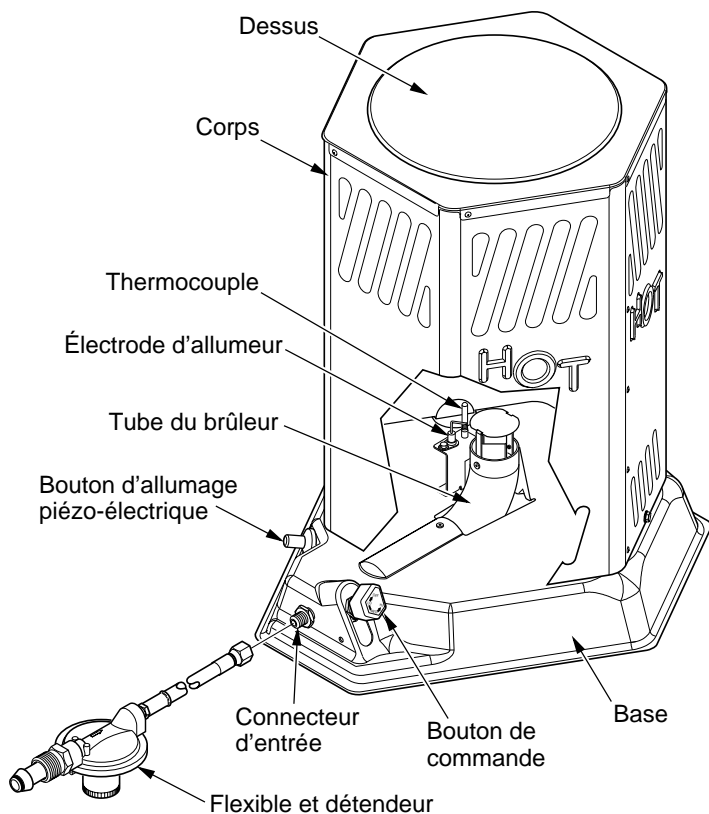


Figure 1 - Identification

## DÉBALLAGE

1. Retirer tous les articles d'emballage utilisés pour l'expédition. Conserver les capuchons en plastique (fixés sur l'entrée de la vanne de commande et sur l'ensemble flexible/détendeur) pour le remisage.
2. Sortir toutes les pièces du carton.
3. Inspecter toutes les pièces en vue de dommages subis en cours d'expédition. Si l'appareil est endommagé, informer immédiatement le revendeur chez qui il a été acheté.

## PRINCIPE DE FONCTIONNEMENT

**Alimentation en combustible :** L'ensemble flexible/détendeur se branche sur la bouteille de propane pour alimenter l'appareil.

**Allumage :** L'allumeur piézo-électrique enflamme le brûleur.

**Contrôle automatique du brûleur :** Ce dispositif arrête l'appareil si la flamme s'éteint.

## ALIMENTATION EN PROPANE

L'utilisateur doit fournir le gaz propane et la (les) bouteille(s). Cet appareil ne doit être utilisé qu'avec un système d'alimentation à suppression de vapeurs de propane. Voir le chapitre 5 de *Standard for Storage and Handling of Liquefied Petroleum Gas, ANSI/NFPA 58 et Propane Installation Code CAN/CGA B149*. 2. Ces publications peuvent être obtenues auprès du service de lutte contre les incendies ou à la bibliothèque municipale.

La quantité de propane prêt à l'usage de la bouteille varie en fonction de deux facteurs :

1. La quantité de gaz dans la (les) bouteille(s).
2. La température de la (des) bouteille(s)

Le tableau ci-dessous montre quel est le nombre minimum de bouteilles de 45 kg (100 lb) nécessaire pour faire marcher l'appareil. Relier les bouteilles entre elles à l'aide d'un collecteur.

Températures moyennes °C (°F) à la bouteille	Nombre de bouteilles 45 kg (100 lb)
16° (60°)	1
4° (40°)	1
0° (32°)	1
-6,7° (20°)	1
-12° (10°)	2
-18° (0°)	2

Une moindre quantité de gaz est vaporisée à basse température. Le distributeur de propane local pourra recommander le système d'alimentation adéquat.

## VENTILATION

**⚠ AVERTISSEMENT : Prévoir une ouverture d'au moins 0,23 m<sup>2</sup> (2,5 pi<sup>2</sup>) pour l'entrée de l'air frais de l'extérieur. L'absence d'air frais de l'extérieur peut causer un empoisonnement par l'oxyde de carbone. Assurer une ventilation adéquate avant d'utiliser l'appareil.**

## INSTALLATION

**⚠ AVERTISSEMENT : Revoir et veiller à bien comprendre les avertissements de la section Informations concernant la sécurité, pages 2 et 3. Ils sont essentiels à la sécurité d'utilisation de l'appareil. Respecter tous les codes locaux lors de l'utilisation de l'appareil.**

**⚠ AVERTISSEMENT : Vérifier que toutes les conduites et tous les branchements de gaz sont exempts de fuites une fois l'installation terminée et après entretien ou réparation. Ne jamais utiliser une flamme pour détecter les fuites. Enduire tous les raccords d'eau savonneuse. La formation de bulles indique une fuite. Réparer immédiatement toute fuite.**

1. Se procurer les bouteilles de gaz (voir *Alimentation en propane*, page 3).
2. Brancher le connecteur à gaz de l'ensemble détendeur-flexible sur la (les) bouteille(s) de propane. Visser le connecteur dans le filetage de la bouteille, en tournant vers la gauche. Serrer fermement à l'aide d'une clé de 7/8".

**IMPORTANT:** Positionner et serrer le détendeur de façon à ce que l'aérateur du détendeur soit dirigé vers le bas (voir la figure 2). Il est essentiel que l'aérateur soit en position correcte pour protéger le détendeur des intempéries.

3. Brancher le flexible sur le connecteur d'entrée. Il faut obligatoirement utiliser le détendeur fourni avec l'appareil.
4. Ouvrir lentement le robinet de la (des) bouteille(s) de propane.  
*Remarque:* Si le robinet n'est pas ouvert lentement, il est possible que la soupape de sûreté de la bouteille coupe l'arrivée du gaz. Dans ce cas, un déclic peut se faire entendre à l'intérieur du détendeur lors de la fermeture de la soupape de sûreté. Pour remettre la soupape de sûreté à sa position d'origine, fermer le robinet et l'ouvrir de nouveau lentement.
5. Vérifier tous les branchements en vue de fuites. Les enduire d'eau savonneuse. La formation de bulles indique une fuite qui doit être réparée.
6. Fermer le robinet de la bouteille de propane.

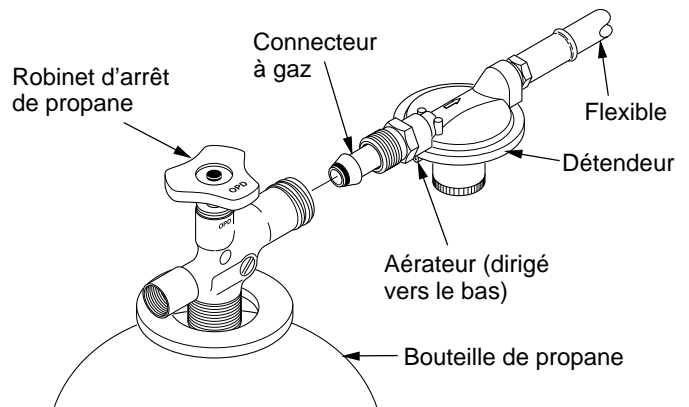


Figure 2 - Détendeur avec aérateur dirigé vers le bas

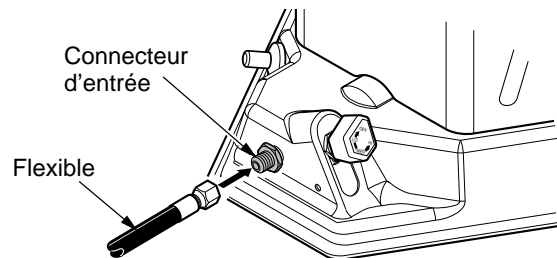


Figure 3 - Flexible et entrée de la vanne de commande

## FONCTIONNEMENT

**⚠ AVERTISSEMENT : Revoir et veiller à bien comprendre les avertissements de la section Informations concernant la sécurité, pages 2 et 3. Ils sont essentiels à la sécurité d'utilisation de l'appareil. Respecter tous les codes locaux lors de l'utilisation de l'appareil.**

### MISE EN MARCHÉ

1. Respecter toutes les instructions d'installation, de ventilation et de sécurité.
2. Placer l'appareil sur une surface stable et plane. Vérifier qu'il n'est pas soumis à de forts courants d'air.
3. S'assurer que l'appareil est arrêté en appuyant légèrement sur le bouton de commande et en le tournant à fond vers la droite de la position ARRÊT (OFF).
4. Ouvrir lentement le robinet de la (des) bouteille(s) de propane.  
*Remarque:* Si le robinet n'est pas ouvert lentement, il est possible que la soupape de sûreté de la bouteille coupe l'arrivée du gaz. Dans ce cas, un déclic peut se faire entendre à l'intérieur du détendeur lors de la fermeture de la soupape de sûreté. Pour remettre la soupape de sûreté à sa position d'origine, fermer le robinet et l'ouvrir de nouveau lentement.
5. Appuyer légèrement sur le bouton de commande et le tourner vers la gauche sur la position basse (voir la figure 4).

## FONCTIONNEMENT

### Suite

- Le bouton de commande étant entièrement enfoncé, appuyer sur le bouton de l'allumeur piézo-électrique et le relâcher. Continuer à appuyer sur le bouton de l'allumeur piézo-électrique jusqu'à ce que le brûleur s'allume. Maintenir le bouton de commande enfoncé pendant 15 secondes au maximum pendant la tentative d'allumage. Si l'appareil ne s'allume pas, relâcher le bouton de commande et attendre 3 minutes avant d'essayer de nouveau.
- Après l'allumage, maintenir le bouton de commande enfoncé et attendre environ 30 secondes pour activer le système de commande automatique.
- Quand le brûleur principal reste allumé, régler l'appareil au niveau de chauffage désiré en appuyant légèrement sur le bouton de commande et en le tournant vers la gauche sur les réglages Moyen (Medium) ou Maximum (High).
- Si le brûleur principal s'éteint, couper le gaz. Appuyer légèrement sur le bouton de commande et le tourner à fond vers la droite sur la position ARRÊT (OFF) Vérifier le niveau de gaz. S'il y a assez de gaz, redémarrer l'appareil en commençant à l'étape 1 (voir la figure 4).

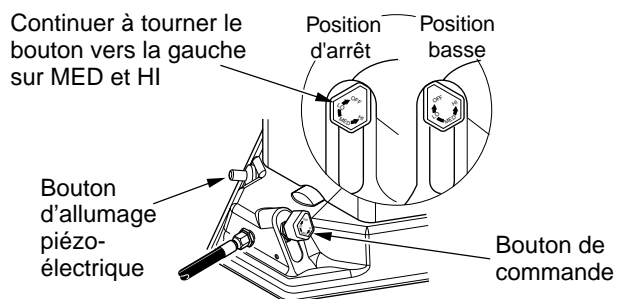


Figure 4 - Emplacement du bouton de commande et du bouton de l'allumeur piézo-électrique

### ASPECT DE LA FLAMME

La figure 5 montre l'aspect correct de la flamme. La flamme du brûleur est bleue presque partout avec une légère coloration jaune aux extrémités.

La figure 6 montre une flamme dont l'aspect est incorrect. Elle est surtout jaune. Cet aspect incorrect provient d'une insuffisance de pression ou d'un retour de flamme.

**⚠ ATTENTION :** Le fonctionnement de l'appareil en dessous du régime d'alimentation spécifié peut entraîner un retour de flamme. Dans ce cas, la flamme est surtout jaune. Elle brûle à l'intérieur du tube du brûleur, ce qui cause un ronflement. En cas de retour de flamme, arrêter l'appareil. Après que le tube du brûleur s'est refroidi, remettre l'appareil en marche.

#### Aspect correct de la flamme

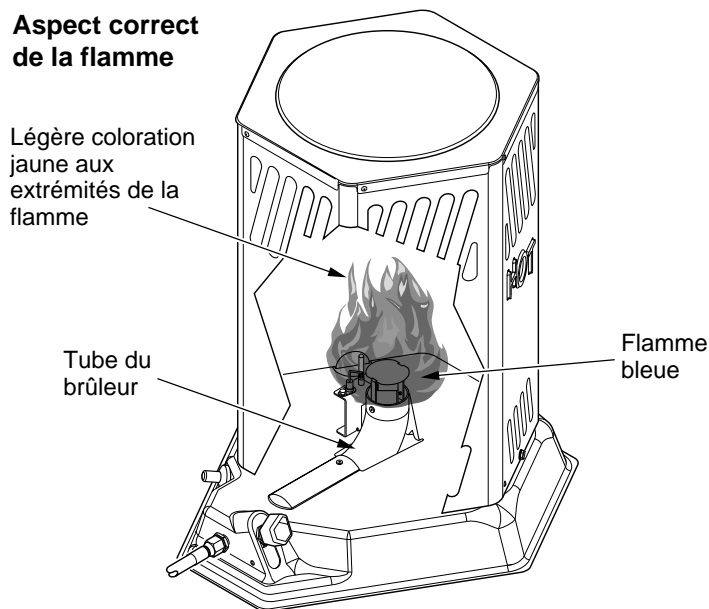


Figure 5 - Aspect normal de la flamme au niveau de chauffage "fort"

#### Aspect incorrect de la flamme—Retour de flamme

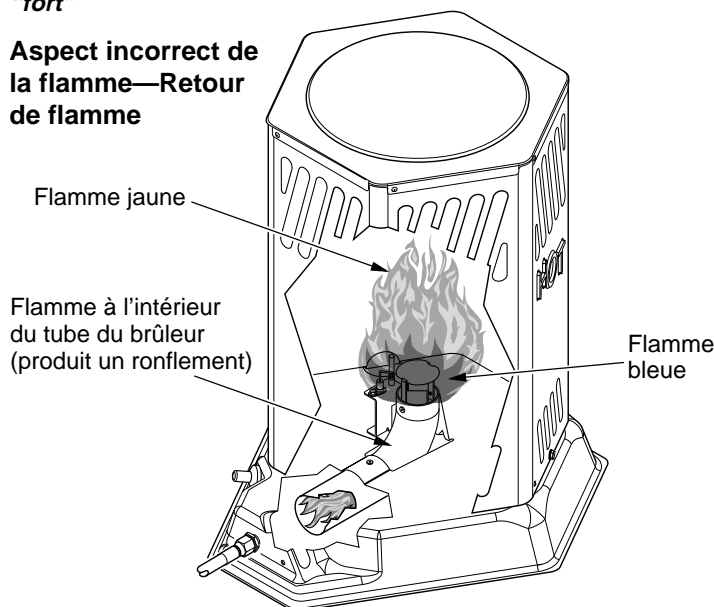


Figure 6 - Aspect de la flamme quand il y a retour de flamme

## FONCTIONNEMENT

### Suite

#### ARRÊT DE L'APPAREIL

1. Bien fermer le robinet de la (des) bouteille(s) de propane. Laisser à l'appareil le temps de brûler le gaz se trouvant dans le flexible.
2. Fermer la vanne du brûleur principal. Pour ce faire, appuyer légèrement sur le bouton de commande et le tourner à fond vers la droite sur la position ARRÊT (OFF).

#### REMISE EN MARCHÉ

1. Attendre cinq minutes après l'arrêt de l'appareil.
2. Répéter les étapes de la section *Mise en marche*, page 4.

#### REMISAGE

**⚠ ATTENTION : Débrancher l'appareil de la (des) bouteille(s) de propane.**

1. Remiser la (les) bouteille(s) de propane en toute sécurité. Voir le chapitre 5 de *Standard for Storage and Handling of Liquefied Petroleum Gas, ANSI/NFPA 58 et Propane Installation Code CAN/CGA B149.2*. Respecter tous les codes locaux. Toujours entreposer les bouteilles de gaz à l'extérieur.
2. Installer des capuchons en plastique sur le connecteur en cuivre à l'entrée de la vanne de commande et sur celui de l'ensemble flexible/détendeur.
3. Remiser les bouteilles dans un endroit sec, propre et sûr. Ne pas ranger l'ensemble flexible/détendeur dans la chambre de combustion de l'appareil.

#### ENTRETIEN

##### ⚠ AVERTISSEMENTS:

- **Ne jamais procéder à l'entretien ou à la réparation de l'appareil lorsqu'il est raccordé à la bouteille de gaz, en fonctionnement ou chaud pour éviter les risques de brûlures graves ou de choc électrique.**
- **Garder l'appareil à l'écart des matériaux combustibles tels que l'essence ou autres vapeurs et liquides inflammables.**
- **Ne pas bloquer la sortie d'air de combustion ni l'entrée d'air de l'arrière de l'appareil.**

1. Maintenir l'appareil propre. Le nettoyer annuellement ou selon le besoin pour le débarrasser de la poussière et des débris. Si l'appareil est poussiéreux ou sale, le nettoyer avec un chiffon humide. Utiliser un produit d'entretien ménager sur les taches résistantes.

2. Inspecter l'appareil avant chaque usage. Vérifier l'absence de fuites aux branchements. Enduire tous les raccords d'eau savonneuse. La formation de bulles indique une fuite. Réparer immédiatement toute fuite.
3. Inspecter l'ensemble flexible/détendeur avant chaque usage. Si le flexible est très usé ou coupé, le remplacer.
4. Faire inspecter l'appareil chaque année par un service qualifié.

## CARACTÉRISTIQUES

Rendement (Btu/hr)	
Fort	80.000
Faible	40.000
Combustible	Vapeur de propane seulement
Consommation en combustible	
Litres (gallons)/heure	1,67 (0,44) Faible 3,3 (0,87) Fort
Kg (livres)/heure	0,84 (1,86) Faible 1,7 (3,71) Fort
Pression d'alimentation au détendeur	
Fort	1380 kPa (200 psi)
Faible	138 kPa (20 psi)
(pour le réglage du débit d'entrée)	
Pression au collecteur	
Fort	45,7 cm (18 po)
Faible	60 cm (23,8 po)
Écart à l'électrode de l'allumeur	5,0 mm (0.195 po)
Poids	
Appareil	6 kg (13 lb)
Expédition	7,7 kg (17 lb)
Dimensions - L x P x H	51 x 38,1 x 40,6 cm (20 x 15 x 16 po)
Température ambiante min.	-29 °C (-20 °F)

## DÉPANNAGE

*Remarque* : Pour toute assistance supplémentaire, visitez le site Internet du service technique de DESA Industries à [www.desatech.com](http://www.desatech.com).

**⚠ AVERTISSEMENT** : Ne jamais procéder à l'entretien ou à la réparation de l'appareil lorsqu'il est branché sur le secteur, raccordé à la bouteille de gaz, en fonctionnement ou chaud pour éviter les risques de brûlures graves ou de choc électrique.

## SYMPTÔME

## CAUSE POSSIBLE

## REMÈDE

Le brûleur ne s'allume pas

1. Le robinet d'alimentation en propane de la (des) bouteille(s) est fermé
2. La soupape de sûreté est fermée
3. Le gicleur du brûleur est bouché
4. L'allumeur piézo-électrique ne produit pas d'étincelle

1. Ouvrir lentement le robinet d'alimentation en propane
2. Fermer le robinet de la bouteille de propane puis le rouvrir lentement
3. Remplacer le gicleur du brûleur
4. S'assurer que l'électrode et la plaque de cathode est de 5,0 mm (0,195 po). Vérifier que le fil n'est pas abîmé. Remplacer l'allumeur piézo-électrique et/ou son électrode si besoin est. Ne pas courber l'électrode. Ceci risque de la casser.

Le brûleur s'allume mais s'éteint quand on lâche le bouton de la vanne de commande automatique

1. Le préchauffage est trop court
2. La pression du gaz est insuffisante
3. Le thermocouple est desserré ou a besoin d'être remplacé
4. La vanne de commande automatique a besoin d'être remplacée

1. Rallumer et maintenir le bouton de la vanne de commande automatique appuyé pendant 45 secondes
2. Vérifier la (les) bouteille(s) de propane pour assurer une alimentation correcte
3. Resserrer ou remplacer le thermocouple
4. Remplacer la vanne de commande automatique

Le régime de fonctionnement est trop faible

1. Le robinet du brûleur principal n'est pas complètement ouvert
2. Les orifices des gicleurs de gaz sont bouchés
3. La pression du gaz est insuffisante
4. Il n'y a plus assez de gaz

1. Ouvrir complètement le robinet du brûleur principal en appuyant sur le bouton de commande et en le tournant vers la gauche, vers la position FORT (HIGH) jusqu'à ce qu'il s'arrête
2. Remplacer le gicleur
3. Vérifier l'alimentation en gaz; vérifier le débit du détendeur
4. Consulter le fournisseur du propane

## ACCESSOIRES

Se procurer les accessoires et pièces détachées chez le revendeur ou au centre de réparations le plus proche. Si des pièces ou accessoires ne peuvent pas être ainsi obtenus, contacter le centre de pièces détachées le plus proche (se trouvant dans la liste du livret séparé de centres de réparations agréés), contacter le service des pièces détachées DESA Industries au 1-905-826-8010 ou écrire à l'adresse figurant sur la couverture arrière de ce manuel pour obtenir les informations nécessaires.

**DESA Industries**  
2220 Argentia Road Unit #4  
Mississauga, ON  
L5N2K7  
905-826-8010

## No. de référence

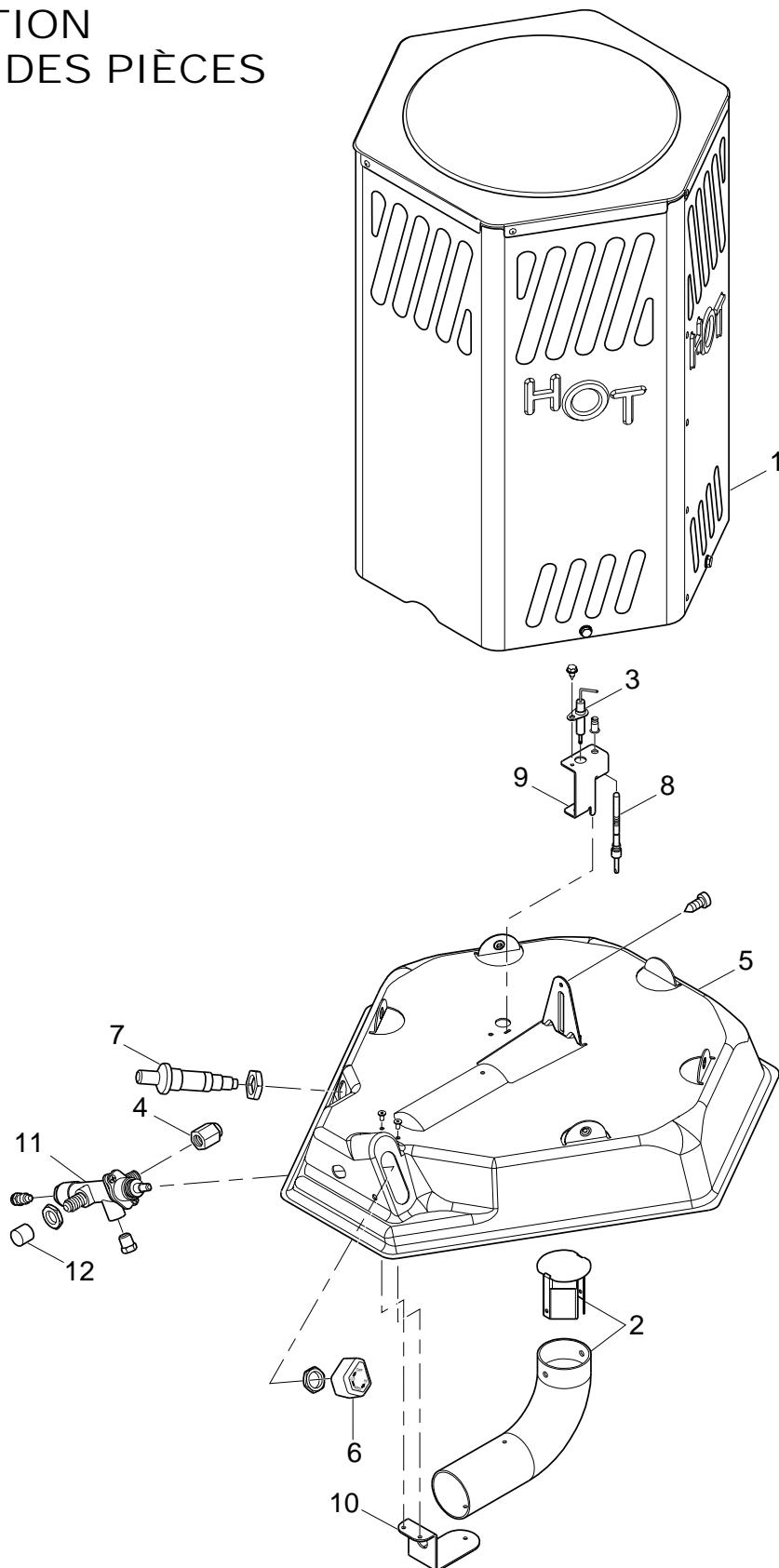
## Description

LPA4020

**Connecteur d'alimentation en gaz**  
Permet le branchement du détendeur sur toutes les bouteilles de propane standard. Homologué UL et A.G.A.

LPA3005

**Ensemble flexible/détendeur**

DÉCOMPOSITION  
ILLUSTRÉES DES PIÈCES  
RCCP80V

## LISTE DES PIÈCES

### RCCP80V

Cette liste est celle des pièces remplaçables de l'appareil de chauffage.

Lors de la commande de pièces, suivre les instructions de la rubrique

*Pièces détachées.*

PIÈCE	N° DE RÉF	DESCRIPTION	QTÉ
1	103928-01	Dessus et corps (ensemble)	1
2	103929-01	Brûleur (ensemble)	1
3	103904-01	Électrode de l'allumeur	1
4	103032-01	Buse	1
5	103031-01	Base	1
6	103036-01	Bouton de commande	1
7	102445-01	Allumeur piézo-électrique	1
8	099236-01	Thermocouple	1
9	103854-01	Support du thermocouple	1
10	103037-01	Support de positionnement de la buse	1
11	103930-01	Vanne (ensemble)	1
12	078978-03	Capuchon	1
<b>PIÈCES DISPONIBLES PAS ILLUSTRÉES</b>			
	098851-07	Autocollant de marque (RCCP80V)	1
	099681-05	Autocollant d'informations générales (anglais)	1
	099681-06	Autocollant d'informations générales (français)	1
	099683-02	Autocollant de fonctionnement (anglais)	1
	099683-03	Autocollant de fonctionnement (français)	1
<b>ACCESSORIES</b>			
	LPA3110	Ensemble flexible et détendeur	1
	LPA4020	Connecteur à gaz	1

## PIÈCES DÉTACHÉES

**⚠ AVERTISSEMENT : Utiliser exclusivement des pièces de rechange d'origine. Cet appareil ne peut utiliser que des pièces spécialement conçues. Ne pas utiliser des pièces différentes ou d'autres fabricants. L'usage de pièces incorrectes peut causer des blessures graves ou mortelles ou entraîner l'annulation de la garantie.**

### PIÈCES SOUS GARANTIE

Contactez les concessionnaires agréés de ce produit. Si les pièces de rechange d'origine ne sont pas disponibles chez les concessionnaires agréés, appelez DESA Industries au 1-905-826-8010, et être prêt à fournir :

- Nom
- Adresse
- Numéros de modèle et de série l'appareil
- Description du problème
- Date d'achat

Dans la plupart des cas l'acheteur devra retourner la pièce à l'usine.

### PIÈCES NON COUVERTES PAR LA GARANTIE

Contactez les revendeurs agréés de ce produit. S'ils ne peuvent pas fournir de pièces d'origine, contactez le centre des pièces détachées le plus proche ou appelez le service des pièces détachées de DESA Industries au 1-905-826-8010, et être prêt à fournir :

- Numéro de modèle de l'appareil
- Numéro de référence de la pièce





# FORMULAIRE D'INSCRIPTION DU PROPRIÉTAIRE

Compléter le formulaire d'inscription et poster ou compléter l'inscription en ligne à l'adresse [www.desatech.com](http://www.desatech.com) dans les trente jours suivant l'achat.

Marque : \_\_\_\_\_ (Reddy Heater, Master, Remington, etc.)

Modèle : \_\_\_\_\_ (R60, HD15, etc.)

Date de l'achat : \_\_\_\_\_ *Remarque* : Conserver le reçu pour vérification de garantie.

Numéro de série : \_\_\_\_\_ Numéro de 7 ou 9 chiffres se trouvant sur le produit ou sur l'étiquette d'identification.

Prénom : \_\_\_\_\_ Nom de famille : \_\_\_\_\_

Adresse : \_\_\_\_\_

Ville : \_\_\_\_\_ Prov. : \_\_\_\_\_ Code postal : \_\_\_\_\_ Pays : \_\_\_\_\_

Téléphone : (\_\_\_\_\_) \_\_\_\_\_ - \_\_\_\_\_ Courriel : \_\_\_\_\_

Veuillez répondre aux questions suivantes pour inscrire votre produit avec DESA International :

1. Qui va utiliser l'appareil de chauffage ?  Individu  Entreprise
2. Utiliserez-vous votre appareil de chauffage dans plus d'un endroit ?  Oui  Non
3. Où le produit sera-t-il utilisé ? (Vous pouvez sélectionner plus d'une réponse.)  Atelier  Étable  Construction résidentielle  
 Construction commerciale  Garage  Usine  Récréation  Entrepôt  Remise/Annexe  Autre \_\_\_\_\_ (Préciser)
4. Coût du produit (sans la taxe de vente) ? \_\_\_\_\_ \$
5. Travail d'entretien/service à être exécuté par :  Soi-même  Centre de service  Autre \_\_\_\_\_
6. Si vous avez acheté ce produit vous-même, aviez-vous prévu d'acheter ce type de produit avant d'entrer dans le magasin ?  Oui  Non
7. Type de magasin où le produit a été acheté  Quincaillerie  Concessionnaire de propane  Compagnie de gaz naturel/services publics  
 Centre de rénovation  Fournisseur de ferme/produits agricoles  Pièces d'auto  Club entrepôt  Fournisseur industriel  
 Magasin de location  Magasin de rabais  Concessionnaire HVAC  Autre \_\_\_\_\_
8. Quelle est votre source principale de chaleur ?  Propane (Gaz de propane liquéfié)  Gaz naturel  Kérosène  Diesel  Électricité  
 Autre \_\_\_\_\_
9. Qu'est-ce qui vous a motivé à acheter ce produit ?  Temps froid soudain  Remplacer ancien modèle  Bricolage Projet maison  
 Source alternative d'urgence  Appareil de chauffage en spécial  Projet de construction  Difficile de réchauffer endroit  Autre \_\_\_\_\_
10. Comment avez-vous entendu parler de cette marque de produit ?  Publicité  Famille ou ami  Collègue  Représentant de magasin  
 Étalage de magasin  Déjà propriétaire d'un appareil de chauffage  Autre \_\_\_\_\_ (Préciser)
11. Quelles autres marques avez-vous considérées ?  Aucune  Master  Remington  All-Pro  Dayton  Universal  Mr. Heater  
 L.B. White Tradesman  John Deere  Dyna-Glo  Dura-Heat  Paulin  Coleman  Vogelzang American  
 Autre \_\_\_\_\_
12. Qui a choisi ce produit ?  Homme  Femme  Les deux
13. Niveau d'éducation de l'acheteur :  École secondaire  École technique  Un peu de collège  Collège complété  École d'études supérieures
14. Âge de l'acheteur :  Moins de 20 ans  20 à 29 ans  30 à 39 ans  40 à 49 ans  50 à 59 ans  60 ans ou plus
15. Revenu annuel total de la famille de l'acheteur :  Moins de 19 999 \$  Entre 20 000 \$ et 34 999 \$  Entre 35 000 \$ et 49 999 \$  
 Entre 50 000 \$ et 74 999 \$  Entre 75 000 \$ et 99 999 \$  100 000 \$ et plus
16. Quelle est la population de votre localité ?  Moins de 10 000  Entre 10 000 et 25 000  Entre 25 000 et 50 000  Entre 50 000 et 100 000  
 Entre 100 000 et 250 000  Plus de 250 000
17. Magasin où le produit a été acheté :  
Nom : \_\_\_\_\_ Ville : \_\_\_\_\_ Prov. : \_\_\_\_\_
18. En choisissant ce produit, dites l'importance des points suivants :

	Pas	Un peu	Très		Pas	Un peu	Très
Disponibilité	<input type="radio"/>	<input type="radio"/>	<input type="radio"/>	Dimensions	<input type="radio"/>	<input type="radio"/>	<input type="radio"/>
Prix	<input type="radio"/>	<input type="radio"/>	<input type="radio"/>	Connaissance précédente de la marque	<input type="radio"/>	<input type="radio"/>	<input type="radio"/>
Nom de la marque	<input type="radio"/>	<input type="radio"/>	<input type="radio"/>	Thermostat intégré	<input type="radio"/>	<input type="radio"/>	<input type="radio"/>
Qualité globale	<input type="radio"/>	<input type="radio"/>	<input type="radio"/>	Facilité d'utilisation	<input type="radio"/>	<input type="radio"/>	<input type="radio"/>
Puissance thermique (Taux de BTU/Heure)	<input type="radio"/>	<input type="radio"/>	<input type="radio"/>	Fonctions spéciales	<input type="radio"/>	<input type="radio"/>	<input type="radio"/>
Puissance thermique variable (BTU/Heure)	<input type="radio"/>	<input type="radio"/>	<input type="radio"/>	Recommandations du vendeur	<input type="radio"/>	<input type="radio"/>	<input type="radio"/>
Fait aux États-Unis	<input type="radio"/>	<input type="radio"/>	<input type="radio"/>	Recommandations d'un ami ou de la famille	<input type="radio"/>	<input type="radio"/>	<input type="radio"/>
Garantie	<input type="radio"/>	<input type="radio"/>	<input type="radio"/>	Portabilité	<input type="radio"/>	<input type="radio"/>	<input type="radio"/>
Service local	<input type="radio"/>	<input type="radio"/>	<input type="radio"/>	Fonctionnement silencieux	<input type="radio"/>	<input type="radio"/>	<input type="radio"/>
Valeur pour le prix	<input type="radio"/>	<input type="radio"/>	<input type="radio"/>				
19. Cette question nous permettra de mieux comprendre le profil démographique de nos clients. Laquelle des réponses suivantes vous décrit le mieux ? (réponse facultative)  
 Afro-américain  Asiatique américain  Mexicain  Portoricain  Cubain  Autre hispanique  Blanc  Autre \_\_\_\_\_

RUBAN

---

---

---

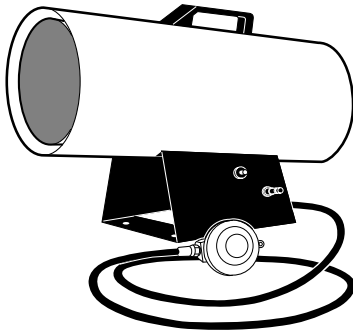
---

Affran-  
chissement  
Requis

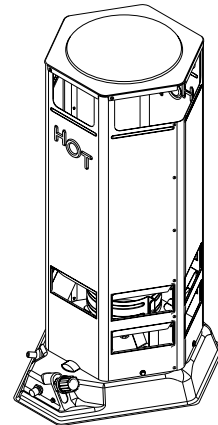
**DESA**<sup>™</sup>  
INTERNATIONAL  
2701 Industrial Drive  
P.O. Box 90004  
Bowling Green, KY 42102-9004  
USA

RUBAN

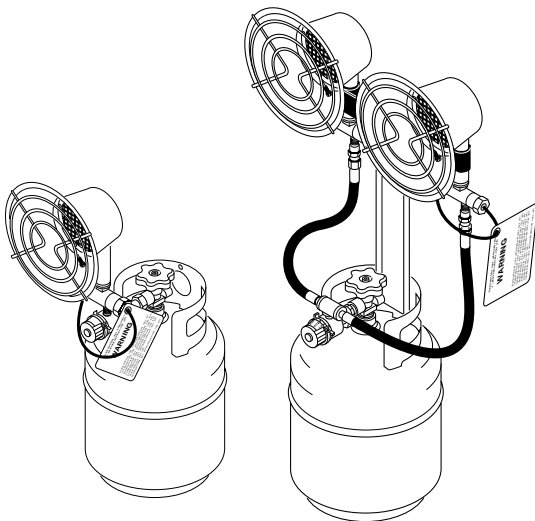
# AUTRES PRODUITS DE CHAUFFAGE POUR L'EXTÉRIEUR



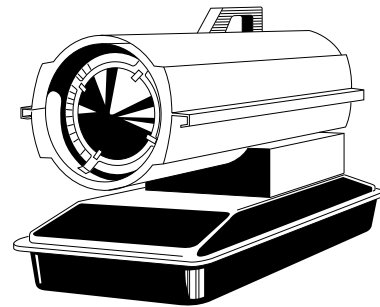
APPAREILS DE CHAUFFAGE AU PROPANE À  
VENTILATION FORCÉE



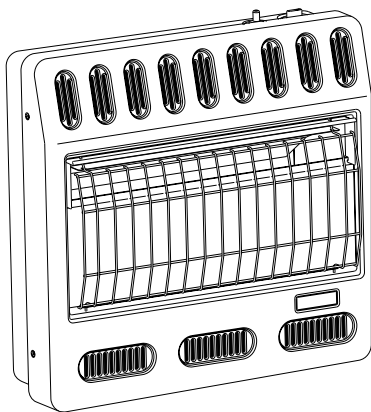
APPAREILS DE CHAUFFAGE À CONVECTION  
AU PROPANE



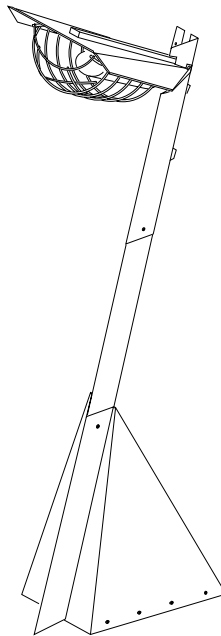
APPAREILS DE CHAUFFAGE AU PROPANE  
POUR LE DESSUS DU RÉSERVOIR



APPAREILS DE CHAUFFAGE PORTABLE AU  
KÉROSÈNE À VENTILATION FORCÉE



APPAREILS DE CHAUFFAGE  
POUR GARAGE AU PROPANE  
ET AU GAZ NATUREL



APPAREILS DE  
CHAUFFAGE AU PROPANE  
POUR LE PATIO



CHEMINÉES AU PROPANE ET AU  
GAZ NATUREL

# GARANTIE ET SERVICE APRÈS-VENTE

CONSERVER CETTE GARANTIE

## GARANTIE LIMITÉE

DESA Industries garantit ce produit et toutes ses pièces contre tous vices de matériaux et de fabrication, pour une période d'un (1) an, à compter de la date d'achat originale, sous réserve que l'appareil soit utilisé et entretenu conformément aux instructions. Cette garantie ne couvre que l'acheteur original, qui devra présenter une preuve d'achat.

Cette garantie ne couvre que le coût des pièces et de la main-d'oeuvre nécessaires à la remise en état de fonctionnement correct du produit. Les frais d'expédition et autres concernant les pièces ne sont pas remboursables aux termes de cette garantie.

La garantie ne peut être obtenue qu'auprès des revendeurs et centres de réparations agréés.

Cette garantie ne couvre pas les défaillances résultant d'un usage incorrect ou abusif, de négligence, d'accidents, de manque d'entretien, d'usure normale, de modifications de toute nature, de contamination du carburant, d'usage de pièces incorrectes pour les réparations, ou de réparations par toute autre entité que le concessionnaire ou le centre de réparations agréé. Les entretiens de routine sont la responsabilité du propriétaire.

**CETTE GARANTIE EXPRESSE REMPLACE TOUTE AUTRE GARANTIE, EXPRESSE OU IMPLICITE, Y COMPRIS LES GARANTIES DE VALEUR MARCHANDE OU D'ADÉQUATION À UN USAGE PARTICULIER.**

DESA Industries décline toute responsabilité pour les dommages directs ou indirects. Certains états ou provinces ne permettant pas l'exclusion ou la limitation des dommages directs ou indirects, ces exclusions et limitations peuvent ne pas toujours être applicables. Cette garantie donne à l'acheteur des droits juridiques spécifiques. Ce dernier peut également bénéficier d'autres droits qui varient selon les états et provinces.

Cette garantie ne couvre pas la décoloration causée par l'utilisation de l'appareil de chauffage. Nous nous réservons le droit d'amender les présentes spécifications à tout moment, sans préavis. La seule garantie en vigueur est notre garantie écrite standard. Nous ne faisons aucune autre garantie, qu'elle soit expresse ou implicite.

## RÉPARATIONS SOUS GARANTIE

Si l'appareil doit être réparé, le retourner au centre de réparations agréé le plus proche. L'appareil doit être accompagné d'une preuve d'achat. L'appareil sera inspecté. Un problème peut être causé par un défaut de matériaux ou de fabrication. Dans ce cas, DESA Industries s'engage à réparer ou à remplacer gratuitement l'appareil.

## SERVICE DE RÉPARATIONS

Retourner l'appareil au centre de réparations agréé le plus proche. Les réparations non couvertes par la garantie seront facturées au tarif standard. Chaque centre de réparations est une entreprise indépendante. Nous nous réservons le droit d'amender les présentes spécifications à tout moment, sans préavis.

Noter les informations ci-dessous pour future référence.

Modèle \_\_\_\_\_

N° de série \_\_\_\_\_

Date d'achat \_\_\_\_\_

DESA Industries of Canada, Inc.

2220 Argentia Road, Unit #4

Mississauga, Ontario

L5N2K7

905-826-8010

Fax: 905-826-8236



104781 01

NOT A UPC

104781-01  
Rev. D  
09/02

Pour en savoir davantage, visitez le [www.desatech.com](http://www.desatech.com)